

## E18E Gas Insert

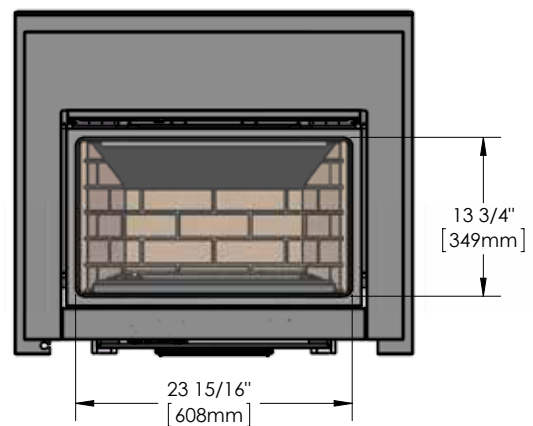
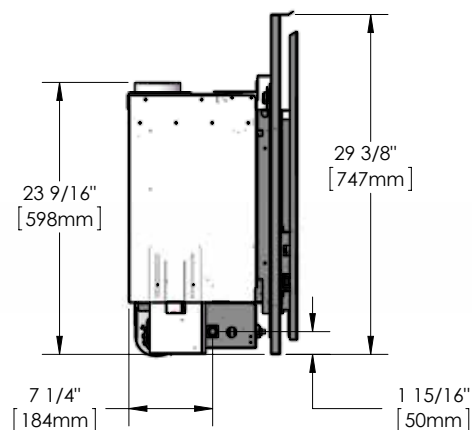
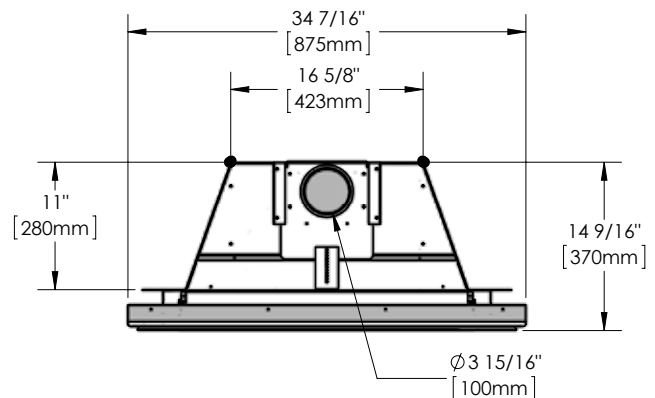
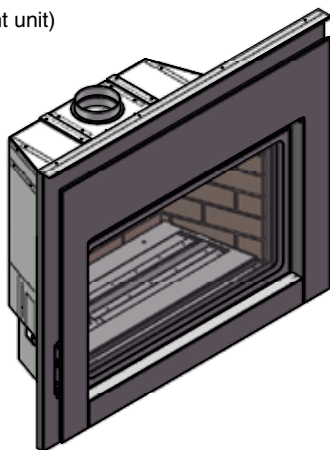
\* Only available in British Columbia to accredited dealers.

Model	E18E-NG11	E18E-LP11
Fuel Type	Natural Gas	Propane Gas
Minimum Supply Pressure	5" W.C. (1.25 kPa)	12" W.C. (2.99 kPa)
Manifold Pressure - High	3.5" W.C. (0.87 kPa)	10" W.C. (2.49 kPa)
Manifold Pressure - Low	1.6" W.C. (0.40 kPa)	6.4" W.C. (1.60 kPa)
Orifice Size	#44 DMS	#55 DMS
Minimum Input Altitude 0-4500 ft. (0-1372m)	15,000 BTU/h (4.40 kW)	17,000 BTU/h (4.98kW)
Maximum Input Altitude 0-4500 ft. (0-1372m)	21,600 BTU/h (6.33kW)	20,500 BTU/h (6.01 kW)
CSA P.4.1	69.42%	71.42%



Verify the model of the E18E will replace is one of the following approved units:

- Montigo EP28-2
- Montigo EP28-4
- Montigo EP28-5
- Montigo Econo Plus 28C
- Montigo EP28-S2
- Montigo 36SR (Non powervent unit)
- Montigo 28F-3
- Montigo 28F-2
- Montigo 28-F
- Firesong 220N
- Firesong 120N

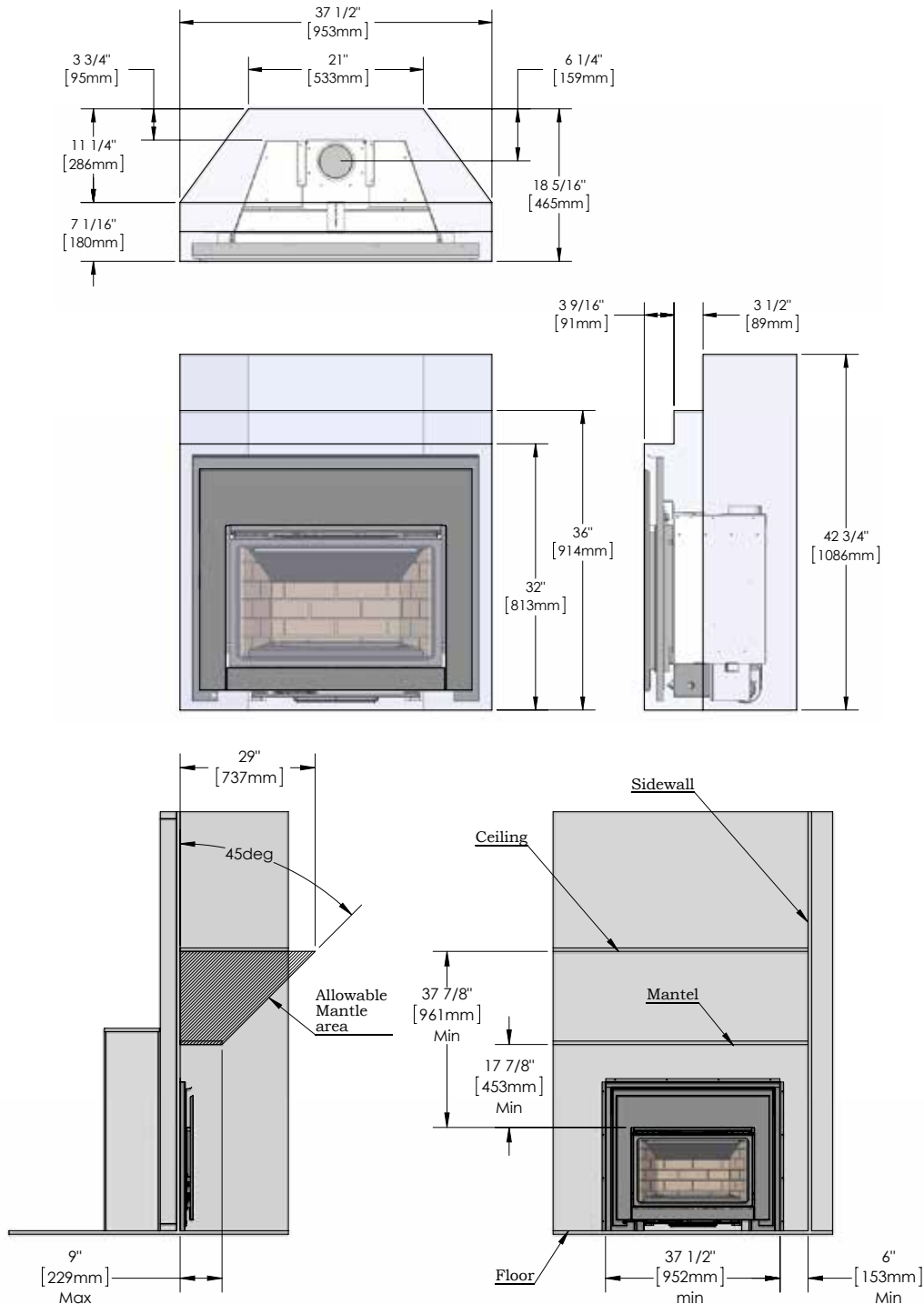


### MINIMUM FIREPLACE CLEARANCES TO COMBUSTIBLES

Diagram shows the minimum clearances to any combustible material. Installer must check that all installs maintain at least these clearances.

The minimum clearance from the side of the appliance to a combustible side wall is 9" (229mm). The minimum clearance from the bottom edge of the front trim above the window to a combustible mantel is 17-7/8" (454 mm). The minimum height from bottom edge of the front trim above the window to the ceiling is 37-7/8" (962 mm).

**Note: A non-combustible mantel and framing may be installed at a closer tolerance if the framing is made of metal studs covered with a non-combustible board.**



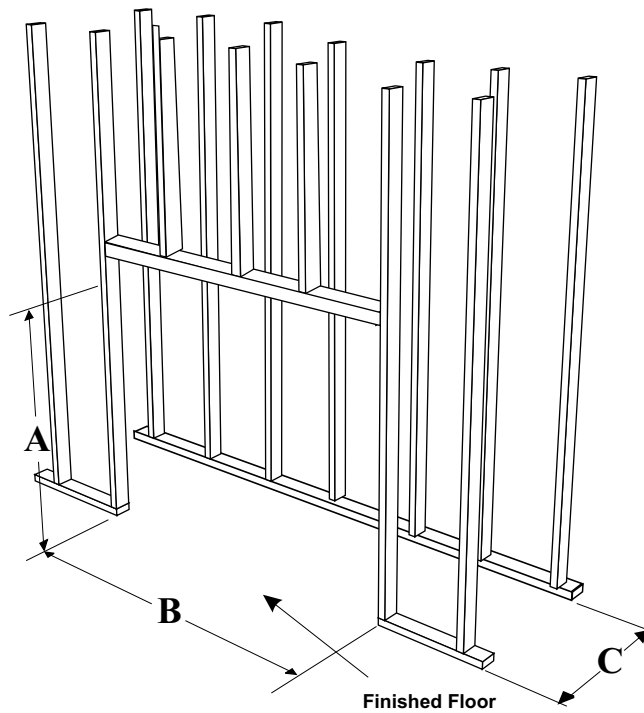
E18E-11 Gas Insert

### ZERO CLEARANCE FRAMING DIMENSIONS

Framing Dimensions	Description	E18E
A	Framing Height	36" (914mm)
B	Framing Width	37 - 7/16" (951mm)
C	Framing Depth	15-1/2" (394mm)

Electrical connection: 110v required  
Fan must be on at all times to operate this unit.

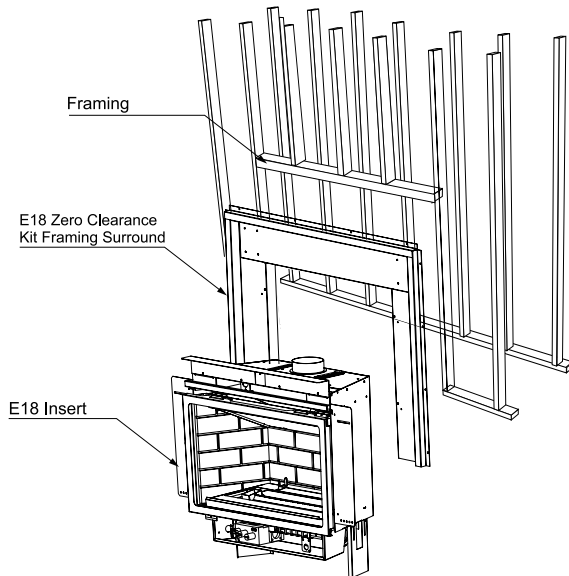
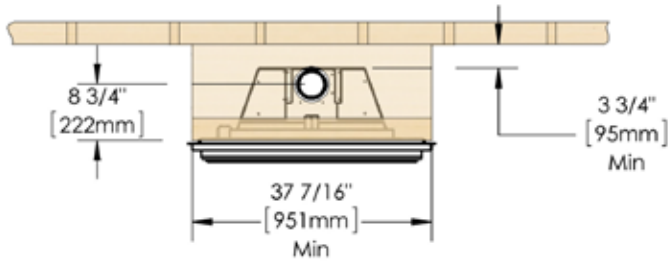
**Note:** All framing may be of wood construction.



E18E-11 Gas Insert

## ZERO CLEARANCE FRAMING

1. When installing the E18E as a zero clearance, you will use the framing clearances in the following diagrams. Mantel and inside corner clearances can be found in Minimum Clearances to Combustibles.
2. Install the Surround to the framing as per manual.



1. Shut down existing unit and allow to cool to room temperature.
2. Turn off gas supply and disconnect electrical.
3. Remove all accessories from existing unit, ie. glass doors, louvers, etc.
4. Remove any tiles, hearth or surround from existing unit (if required).
5. Disconnect gas supply from existing unit.
6. Cut away a perimeter of drywall around the existing unit to expose the framing. See example below.



*Cut drywall*

7. Uninstall existing unit from framing.



*Remove unit from framing*

8. Disconnect venting from existing unit - remove carefully to avoid damage.
9. Remove existing unit from framed opening.

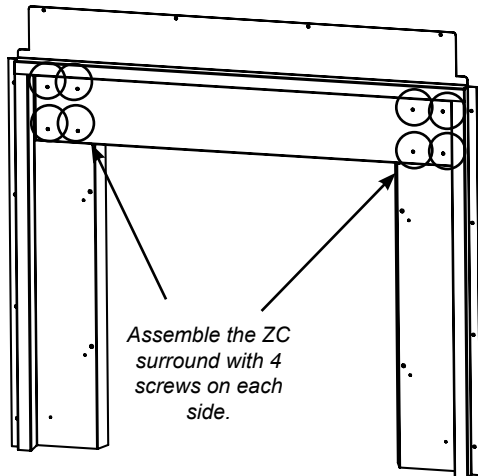


10. Measure framed opening and compare to dimension requirements. Additional adjustments to framed opening may be required.

*E18E-11 Gas Insert*

12. When framing is complete, ensure wiring is installed by an electrician prior to installing the unit.

13. Assemble ZC surround with 8 (904-897) screws provided in locations shown below.



14. Secure surround to the stud on each side with screws.

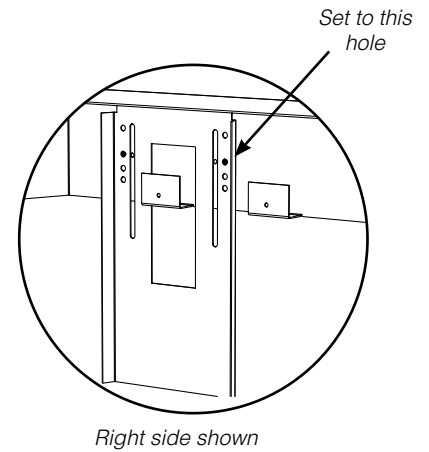


*Use 4 screws on each side to secure surround to studs.*

15. ZC surround installed into framed opening.



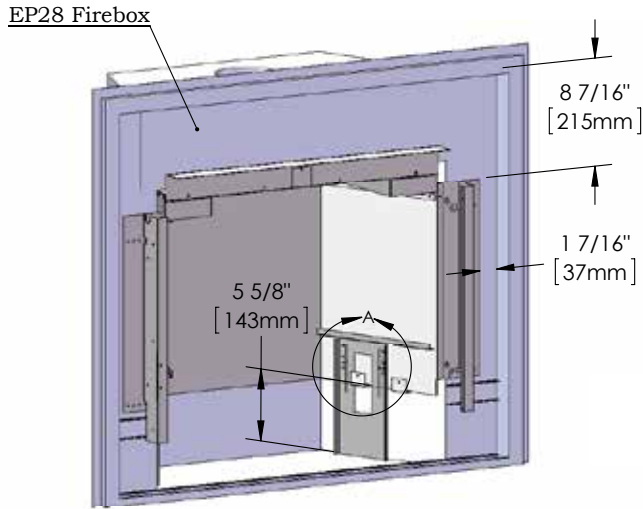
17. Set E18E outside firebox legs as shown below.



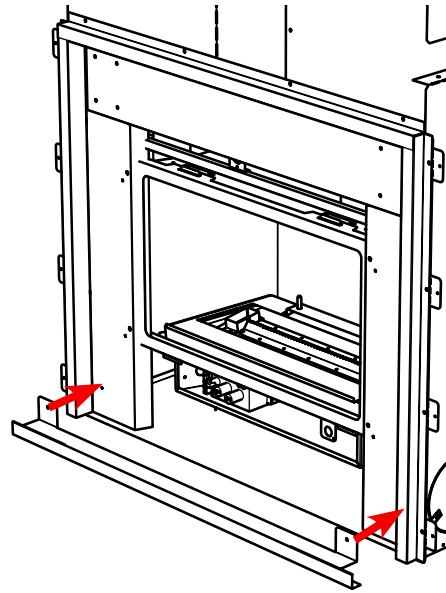
*Outside firebox shown in position - refer to measurements (Step 18) before securing to surround.*

E18E-11 Gas Insert

18. Follow instructions in the manual for installation into a EP28-2 for exact measurements for installation of the outside firebox to the surround.



21. Install lower trim piece with 2 (904-897) screws to the bottom of the ZC surround before installing faceplate.



19. The top panel of the ZC surround may be removed to ease the installation of the venting - reinstall top panel after venting is installed.  
\*Extra venting may be required.



20. Follow instructions in the installation into existing unit section in the manual to complete the install of inner firebox.  
Follow Step 21 before installing faceplate.