

HRI6E Gas Insert

Model	HRI6E-NG11	HRI6E-LP11
Fuel Type	Natural Gas	Propane
Minimum Supply Pressure	5" W.C. (1.25 kPa)	11" W.C. (2.73 kPa)
Manifold Pressure - High	3.5" W.C. (0.87 kPa)	10" W.C. (2.48 kPa)
Manifold Pressure - Low	1.6" W.C. (0.41 kPa)	6.4" W.C. (1.59 kPa)
Orifice Size - Altitude 0-4500 ft.	#32 DMS	#51 DMS
Minimum Input Altitude 0-4500 ft. (0-1372m)	25,000 BTU/h (7.33 kW)	30,000 BTU/h (8.79 kW)
Maximum Input Altitude 0-4500 ft. (0-1372m)	38,000 BTU/h (11.14 kW)	38,000 BTU/h (11.14 kW)
Vent Sizing	3"x 4" Co-linear (Standard)	3"x 4" Co-linear (Standard)
CSA P.4.1	70.37%	70.37%

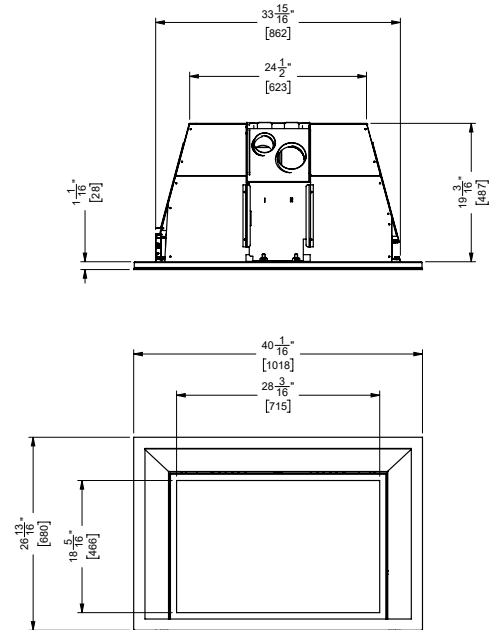
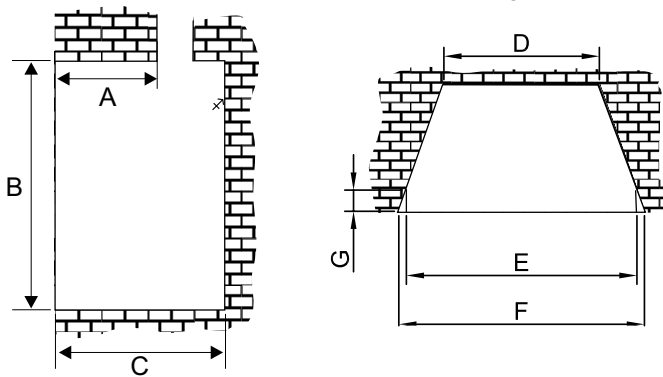


Approved Venting Systems	
3" x 4" Flex Vent Systems:	Colinear Termination 946-588

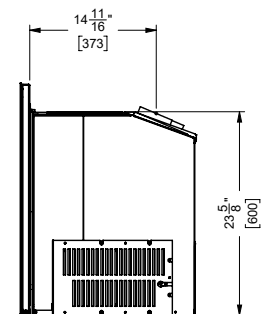
Unit Dimensions with Vignette Faceplate

Minimum Fireplace Dimensions

The minimum fireplace clearances & dimensions for the Regency gas insert are shown in the following diagrams:

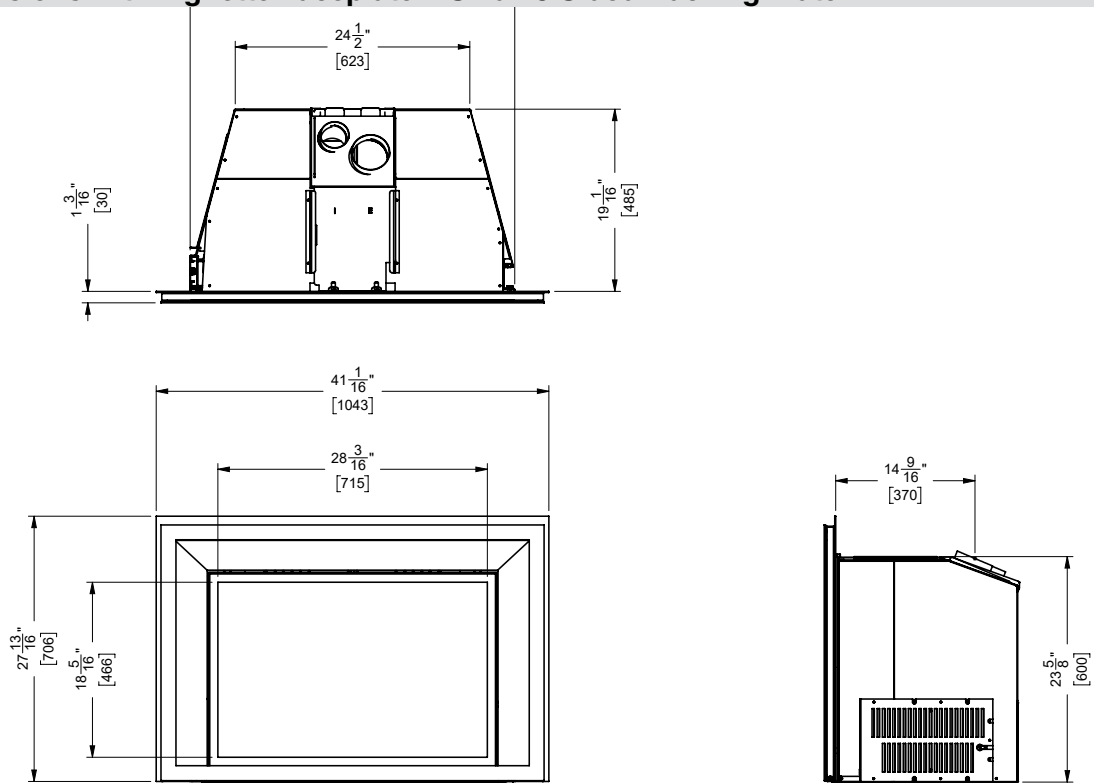


	Max Lentil Bar Depth	Height	Depth	Width (rear)	Width (front)	Width	Front Depth Prior to Taper
	A	B	C	D	E	F	G
Vignette Faceplate	12.5"	24"	19.5"	25"	34"	37"	4-3/4"
Vignette Faceplate w/ spacer	10"	24"	16.75"	25"	34"	35-3/8"	2-1/4"
Arched Faceplate	13.5"	25-3/4"	22-3/8"	25"	35-3/4"	37"	6"
Arched Faceplate w/ spacer	12"	24"	19.5"	25"	34"	36-1/4"	4-3/4"

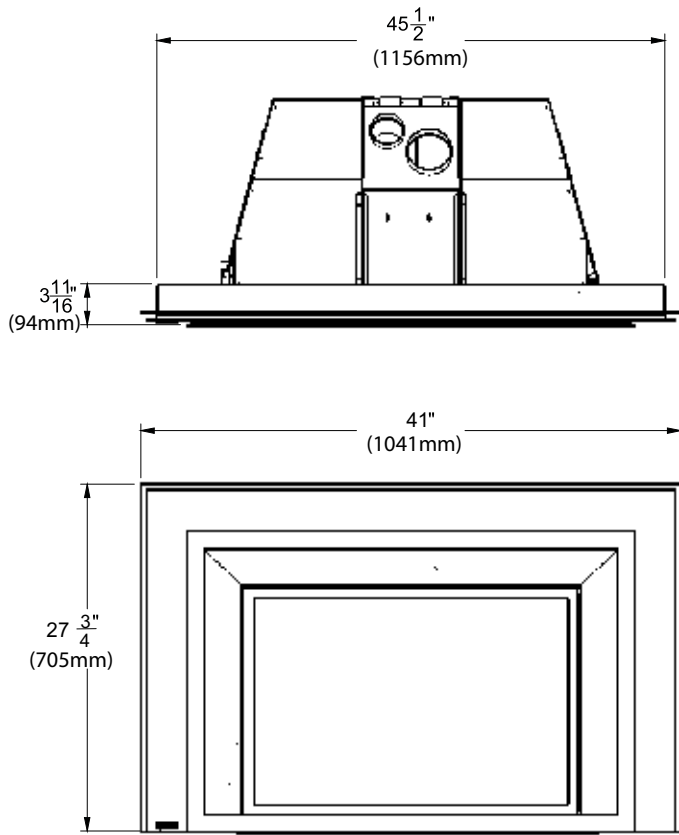


HRI6E-11 Gas Insert

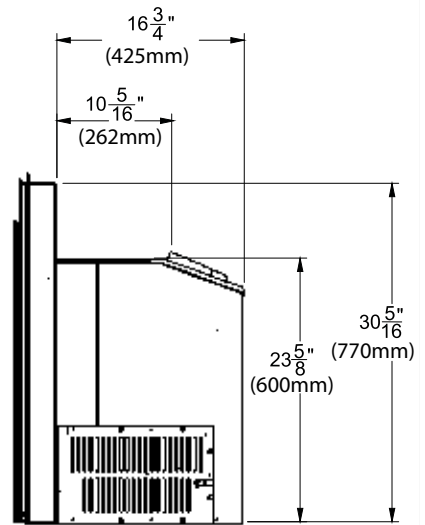
Unit Dimensions with Vignette Faceplate + Small 3 Sided Backing Plate



Unit Dimensions with Vignette Faceplate + Small Backing Plate + Spacer

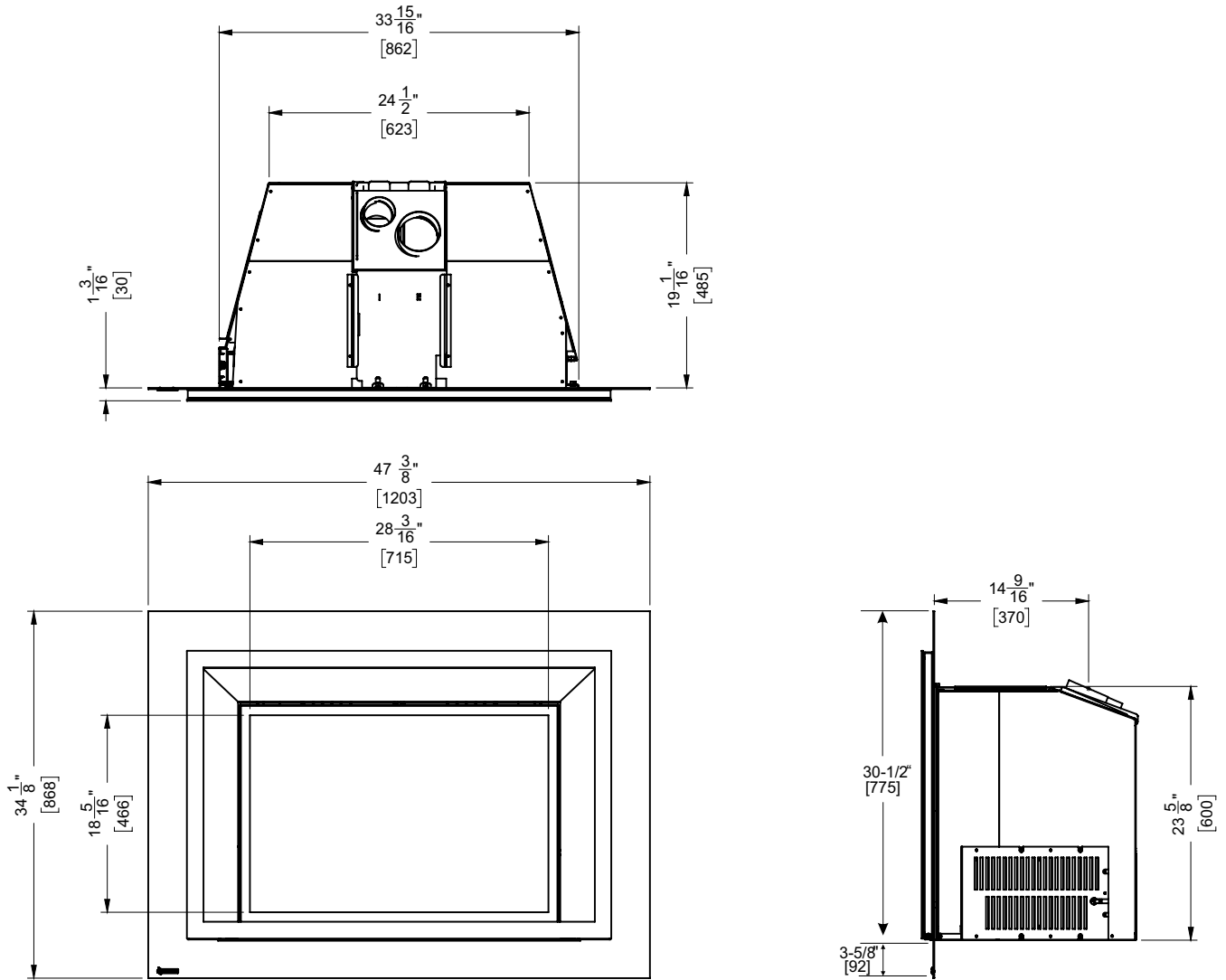


Not shown:
 Regular backing plate - $47\frac{3}{8}''$ W. x $30\frac{1}{2}''$ H.
 Oversize backing plate - $48\frac{3}{8}''$ W. x $33''$ H.



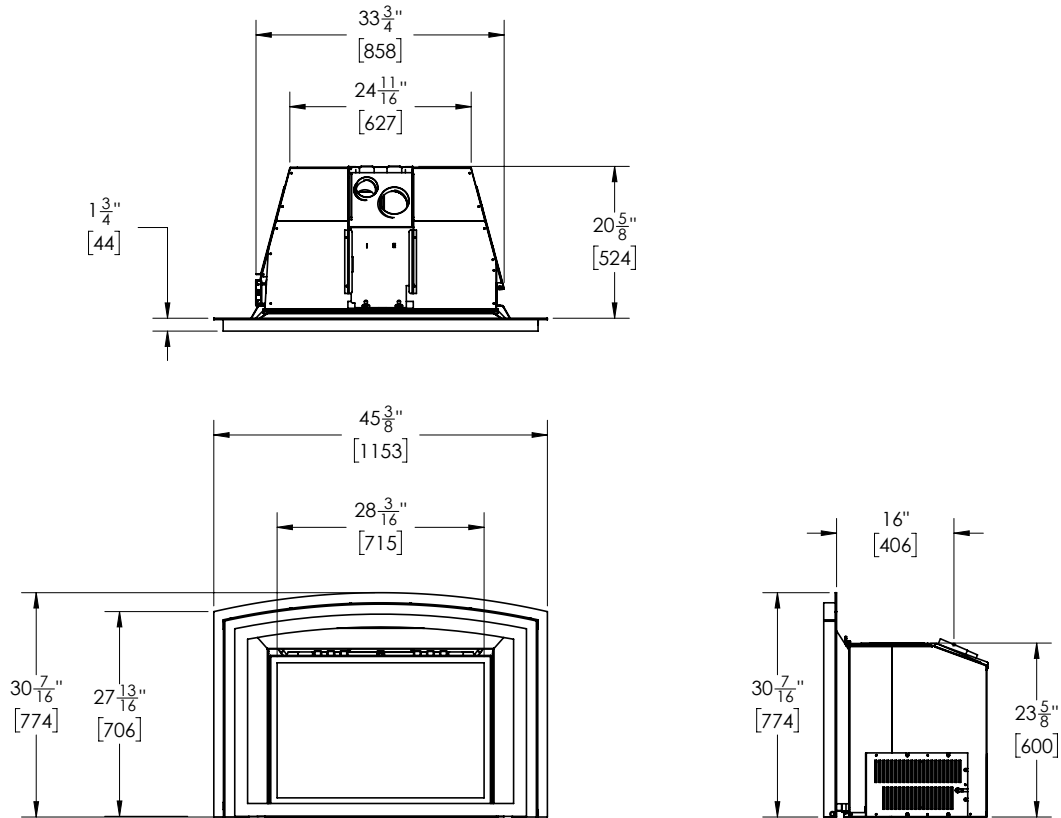
HRI6E-11 Gas Insert

Unit Dimensions with 4 Sided Vignette Faceplate + Backing Plate

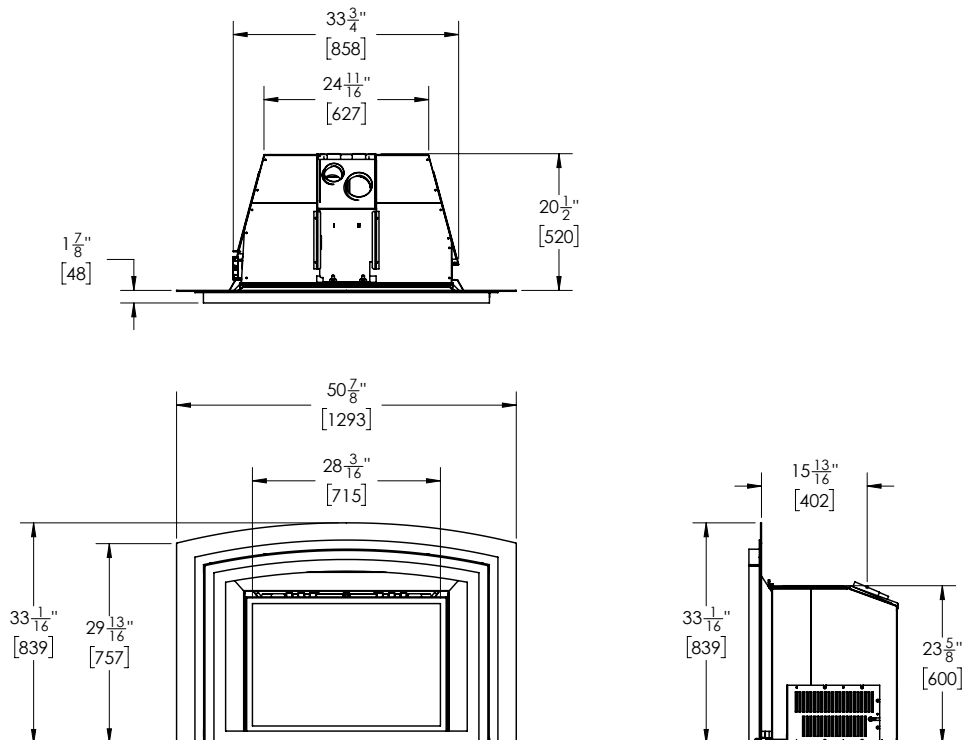


HRI6E-11 Gas Insert

Unit Dimensions with Arched Vignette Faceplate (Optional)

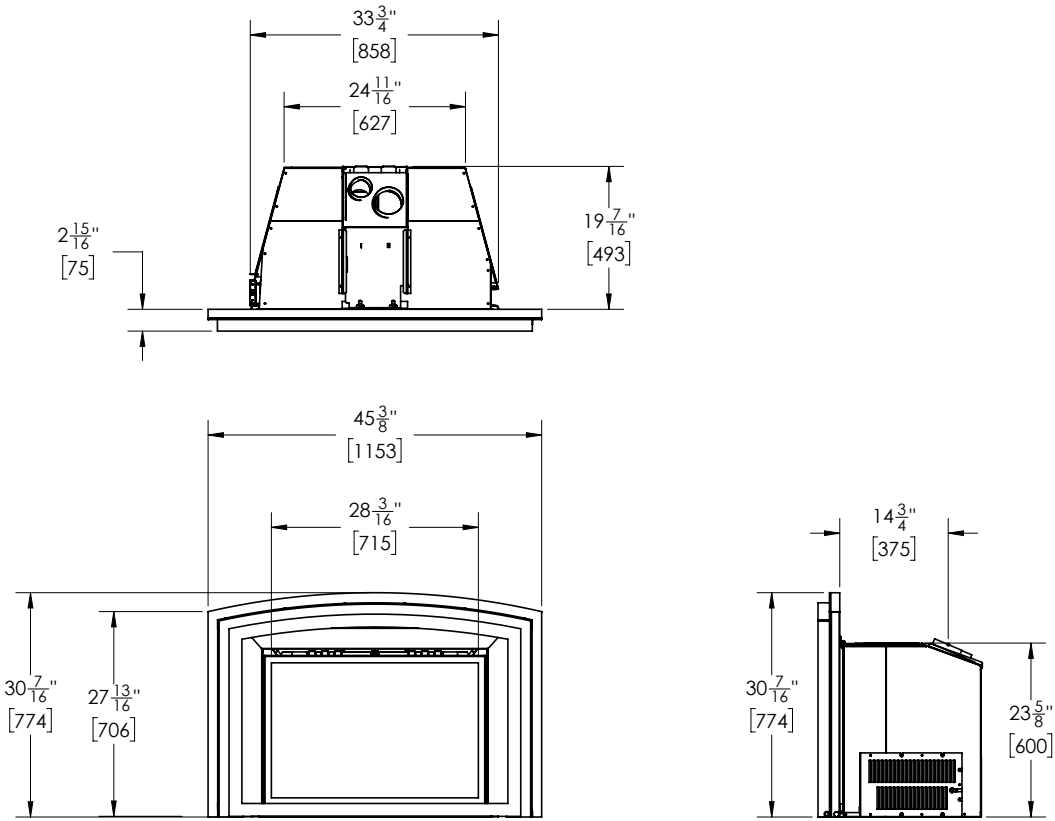


Unit Dimensions with Arched Vignette Faceplate + Backing Plate

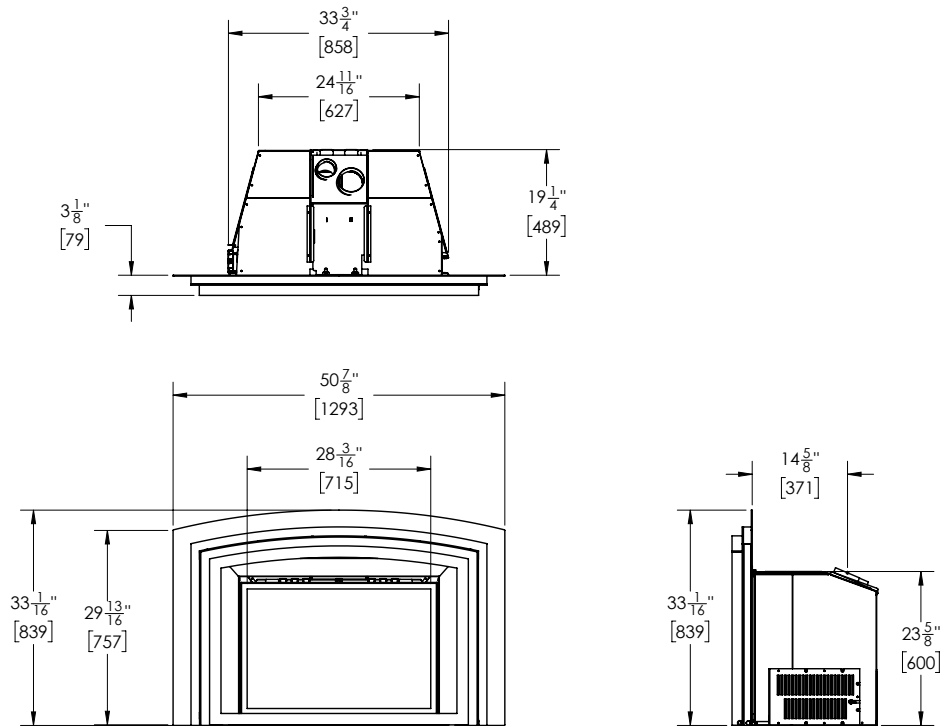


HRI6E-11 Gas Insert

Unit Dimensions with Arched Vignette Faceplate + Spacer



Unit Dimensions with Arched Vignette Faceplate + Spacer + Backing Plate



HRI6E-11 Gas Insert

Minimum Clearances to Combustibles

The clearances listed below are minimum distances unless otherwise stated:

A major cause of fires is failure to maintain required clearances (air space) to combustible materials. It is of the greatest importance that this decorative gas appliance be installed only in accordance with these instructions.

Clearance:	Dimension	Measured From:
A: Sides	12" / 305 mm	***From inside edge of faceplate / doors
B: Ceiling	60" / 1524 mm	From Base of Unit
C: Mantel (Min. Height)*	*36" / 914mm 40" / 1016mm	From Base of Unit From Base of Unit
D: Min. Hearth Depth	14" / 356mm	
E: Min. Hearth Width	44" / 1016mm	
G: Max. Mantel Depth	12" / 305 mm	@ 48" (1219mm) from bottom of unit
K: Min. Alcove Width	56" / 1422 mm	
L: Max. Alcove Depth	36" / 914 mm	
M: Optional Mantel Deflector	3-1/2" / 89mm	

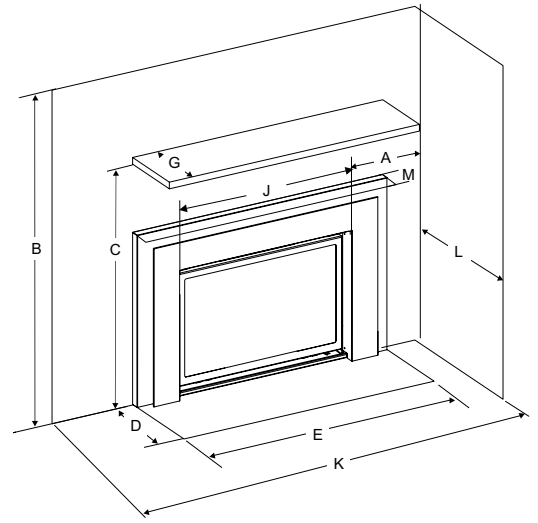


Diagram 1

Notes: Non-combustible hearth required. If unit is raised 6" from the floor - no hearth is required.
 Otherwise: Min. Hearth requirements - An R value of 1.75 is required to meet the requirements of the hearth in front of this appliance. 1" of Calcium Silicate board available from Regency, part number (296-936) plus 3/8" tile or equivalent would meet this requirement.
 See part instruction sheet 919-133 for non-combustible Calcium Silicate board requirements.
 (J): ***Measured from inside edge of faceplate/doors - Reference Only: 31-9/16" (802mm)

MANTEL CLEARANCES WITHOUT DEFLECTOR

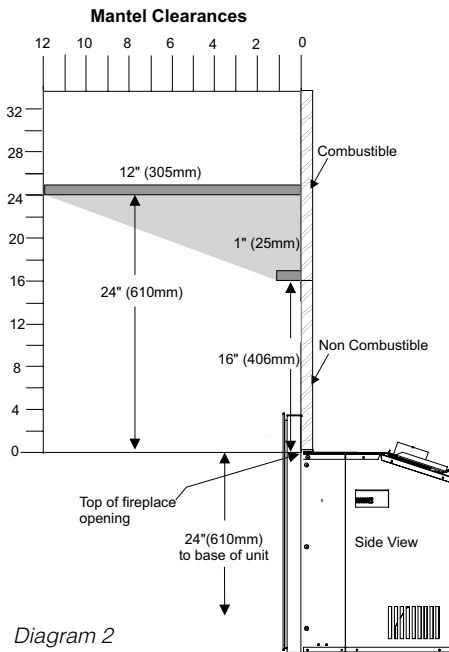


Diagram 2

*MANTEL CLEARANCES WITH 3-1/2" DEFLECTOR

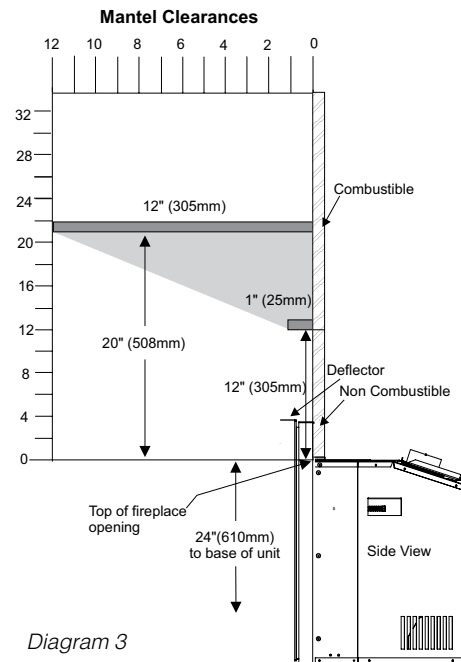


Diagram 3

WARNING
 Although this appliance passes safety certification, the hearth in front of the fireplace becomes very hot when the fireplace heats. Do not use the hearth as a seat or shelf.

Note: A 3-1/2" mantel deflector to reduce mantel height to 36" from bottom of unit @ 1" depth.

A non-combustible mantel may be installed at a lower height if the framing is made of metal studs covered with a noncombustible board. The non-combustible mantel when installed at a lower overall height may not be lower than 6 inches from the top of the fireplace opening.