

## HRI4E Gas Insert

Model	HRI4E-NG11	HRI4E-LP11
Fuel Type	Natural Gas	Propane
Minimum Supply Pressure	5" W.C. (1.25 kPa)	11" W.C. (2.73 kPa)
Manifold Pressure - High	3.5" W.C. (0.87 kPa)	10" W.C. (2.48 kPa)
Manifold Pressure - Low	1.6" W.C. (0.41 kPa)	6.4" W.C. (1.59 kPa)
Orifice Size - Altitude 0-4500 ft.	#37 DMS	#53 DMS
Minimum Input Altitude 0-4500 ft. (0-1372m)	22,000 BTU/h (6.45 kW)	26,000 BTU/h (7.62 kW)
Maximum Input Altitude 0-4500 ft. (0-1372m)	31,000 BTU/h (9.09 kW)	31,000 BTU/h (9.09 kW)
Vent Sizing	3"x 3" Co-linear (Standard)	3"x 3" Co-linear (Standard)
CSA P.4.1	70.27%	69.36%

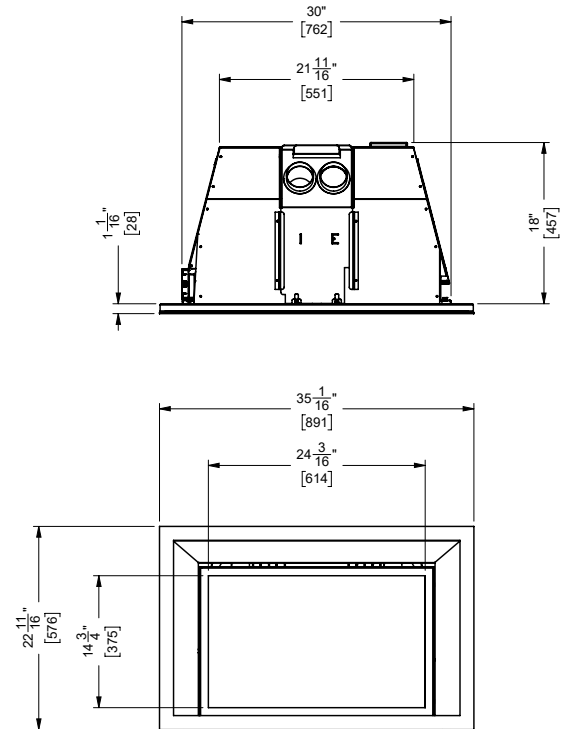
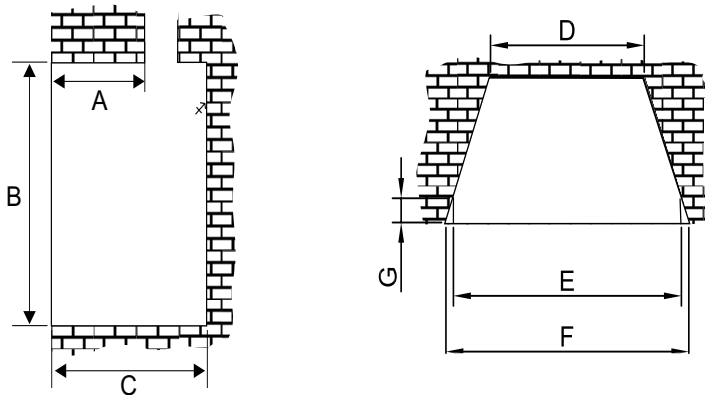


Unit Dimensions – Vignette Faceplate

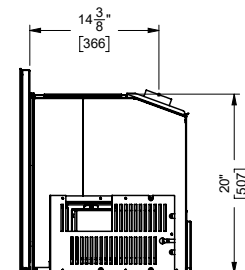
Approved Venting Systems	
Flex Vent Systems:	Colinear termination 946-529
Alternative Approved Terminations	Must use 46DVA-GK along with 46DVA-VCH or 46DVA-VC Duravent termination caps

### Minimum Fireplace Dimensions

The minimum fireplace clearances and dimensions for the Regency gas insert are shown in the following diagrams

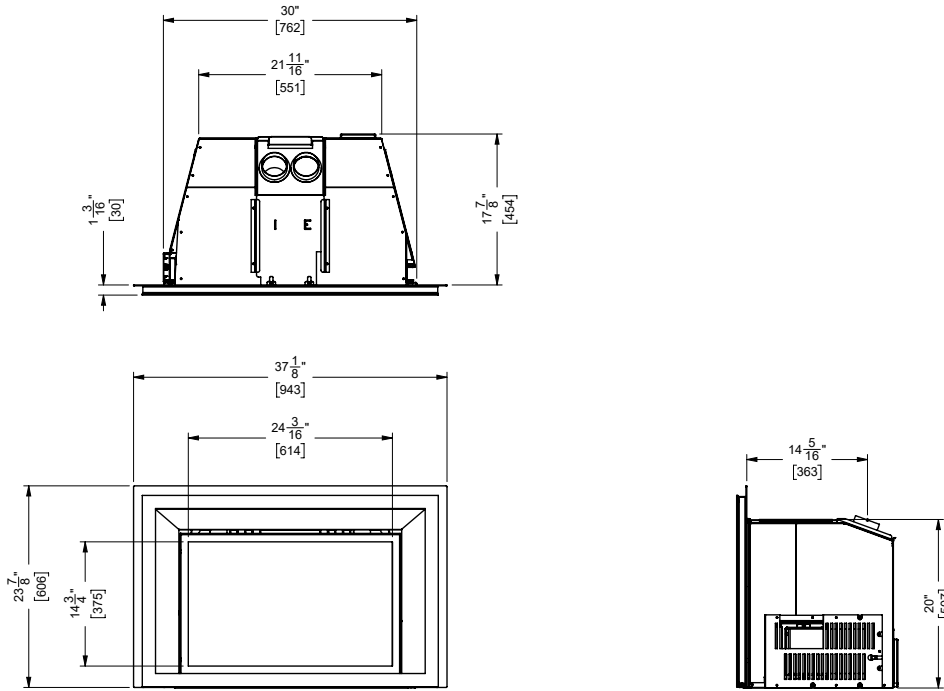


	Max Lintel Bar Depth A	Height B	Depth C	Width (rear) D	Width (front) E	Width F	Front Depth To Taper G
Vignette Faceplate	12.25"	20"	18"	22"	30"	35-5/8"	4-3/8"
Vignette Faceplate w/Spacer	10"	20"	15.75"	22"	30"	31-1/4"	2-1/8"
Arched Faceplate	14"	21-1/2"	21-1/8"	22"	30-1/2"	37"	5-3/8"
Arched Faceplate w/Spacer	12.5"	20"	17.5"	22"	30"	36-1/4"	4"

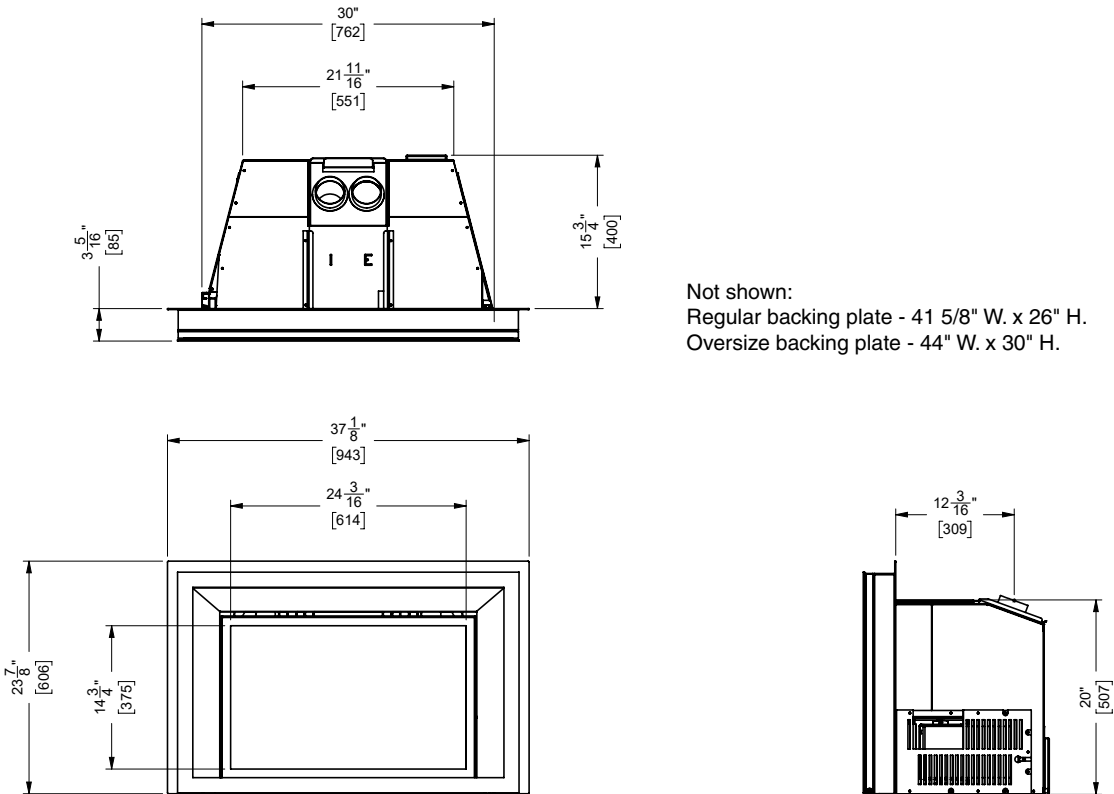


HRI4E-11 Gas Insert

**Unit Dimensions with Vignette Faceplate + Small Backing Plate**



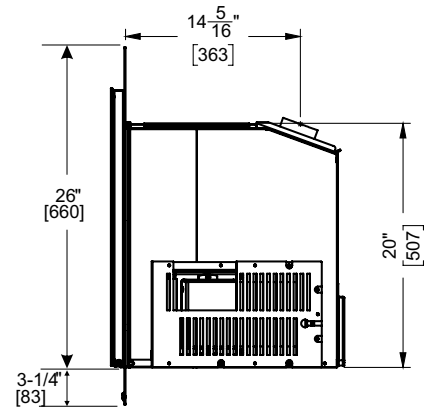
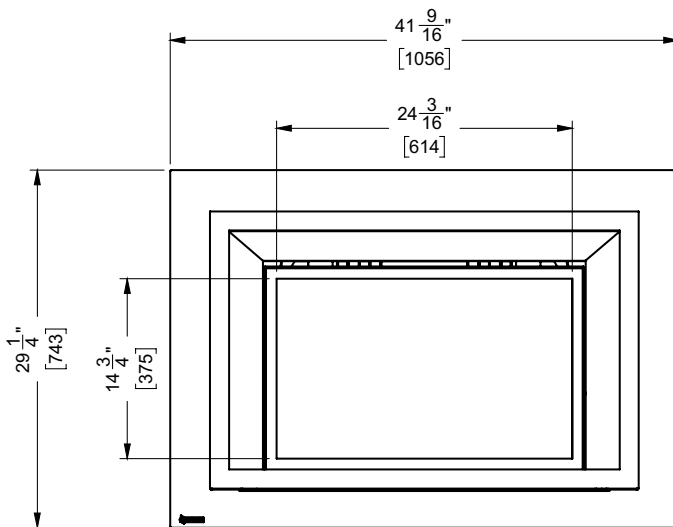
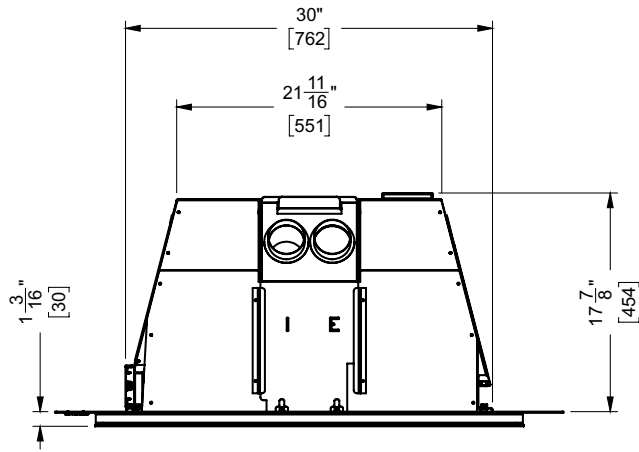
**Unit Dimensions with Vignette Faceplate + Small Backing Plate + Spacer**



Not shown:  
 Regular backing plate - 41 5/8" W. x 26" H.  
 Oversize backing plate - 44" W. x 30" H.

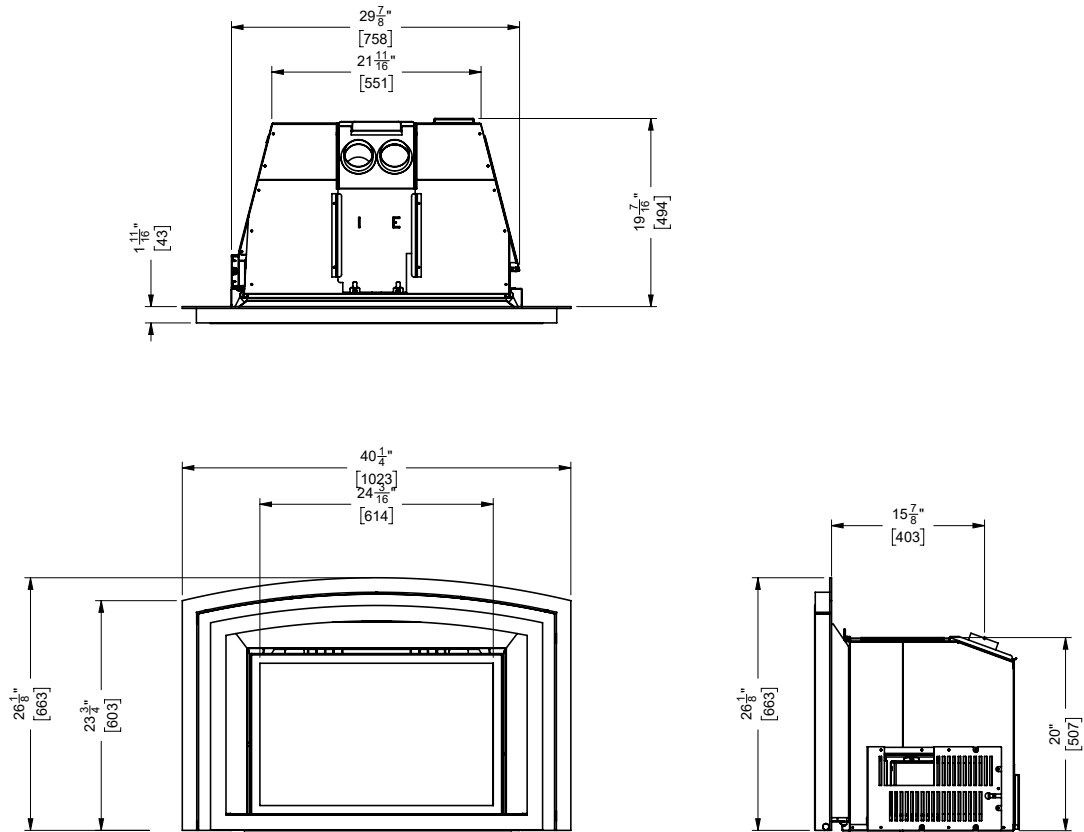
HRI4E-11 Gas Insert

Unit Dimensions with 4 Sided Vignette Faceplate + Backing Plate

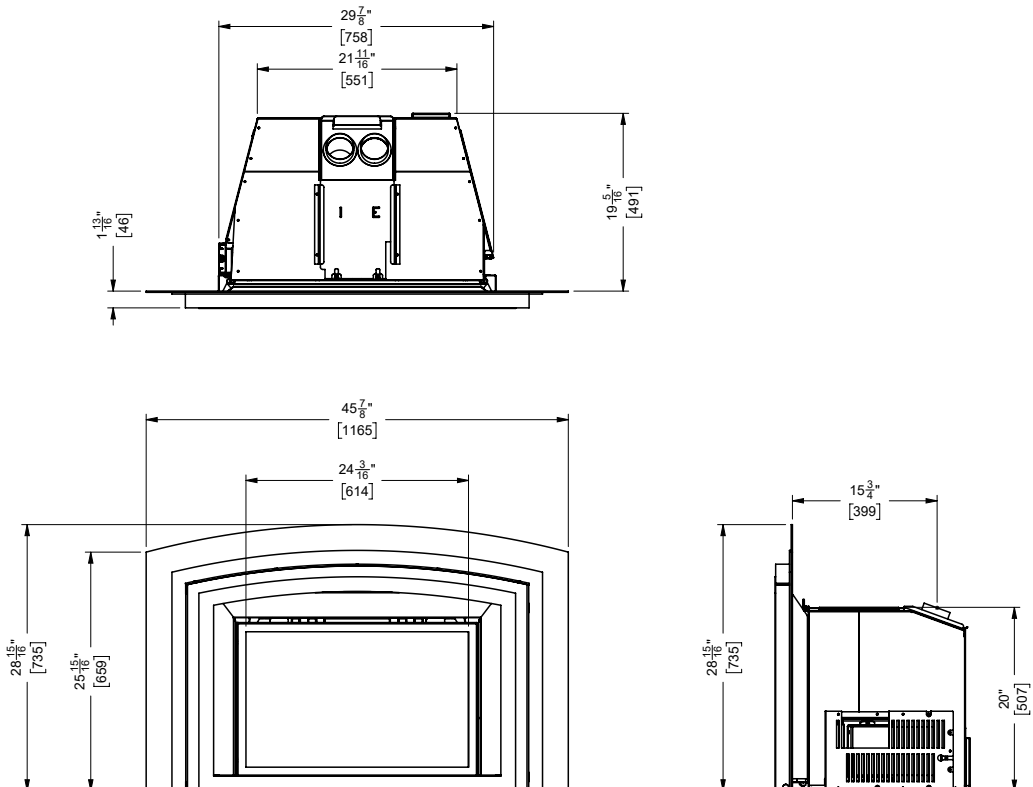


HRI4E-11 Gas Insert

**Unit Dimensions with Arched Vignette Faceplate (Optional)**

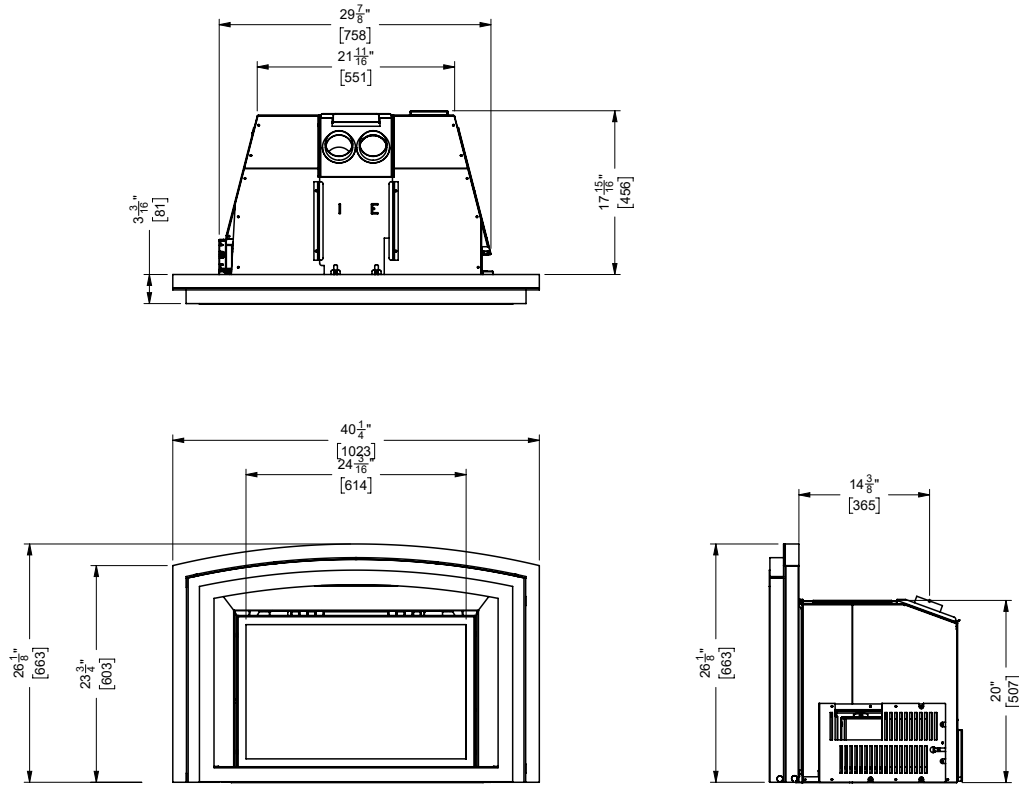


**Unit Dimensions with Arched Vignette Faceplate + Backing Plate**

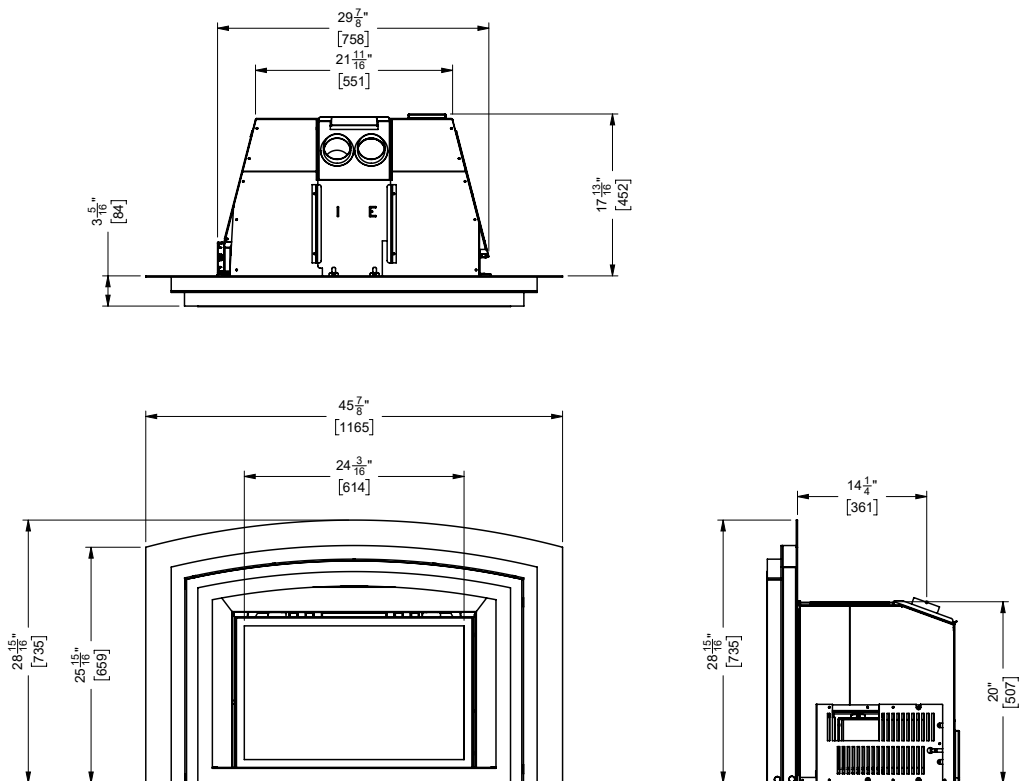


HRI4E-11 Gas Insert

**Unit Dimensions with Arched Vignette Faceplate + Spacer**



**Unit Dimensions with Arched Vignette Faceplate + Spacer + Backing Plate**



## Minimum Clearances to Combustibles

The clearances listed below are minimum distances unless otherwise stated.

A major cause of fires is failure to maintain required clearances (air space) to combustible materials. It is of the greatest importance that this decorative gas appliance be installed only in accordance with these instructions.

Clearance:	Dimension	Measured From:
<b>A: Sides</b>	8" / 203 mm	From inside edge of faceplate / doors
<b>B: Ceiling</b>	60" / 1524 mm	From base of unit
<b>C: Mantel (Min. Height)</b>	*32" / 813mm 35" / 381mm	From base of unit From base of unit
<b>D: Min. Hearth Width</b>	14" / 356mm	
<b>E: Min. Hearth Length</b>	40" / 1016mm	
<b>G: Max. Mantel Depth</b>	0 - 12" / 305 mm	@ 44" (1118mm) from bottom of unit
<b>K: Min. Alcove Width</b>	54" / 1372 mm	
<b>L: Max. Alcove Depth</b>	36" / 914 mm	
<b>M: Mantel Deflector</b>	3-1/2" / 89mm	

**NOTE:** 40" (1016mm) wide x 14" (356mm) deep hearth is required, unless the unit is raised 6" (152.4 mm) off the floor surface.  
 \*An optional 3-1/2" deflector, reduces the mantel height to 32" from bottom of unit @ 1" depth.  
 (J): \*\*\*Measured from inside edge of faceplate/doors - Reference only: 27-9/16" (700mm)

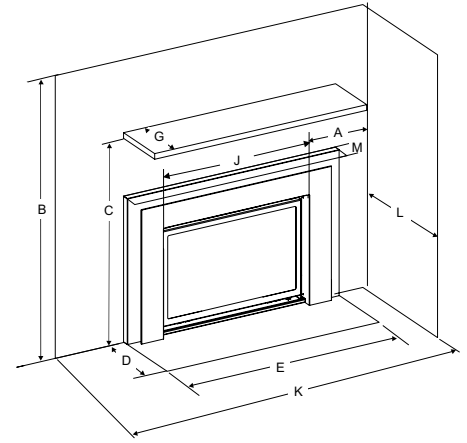


Diagram 1

### MANTEL CLEARANCES WITHOUT DEFLECTOR

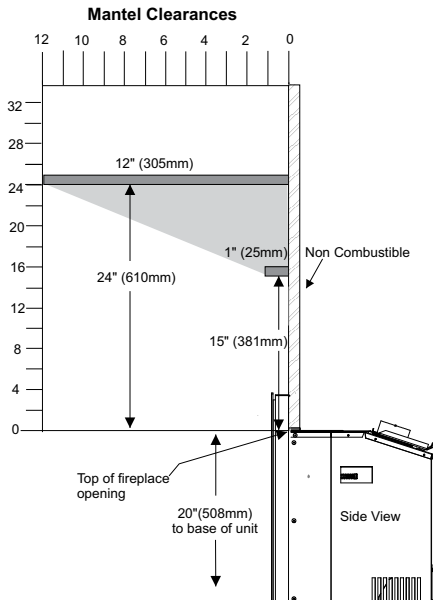


Diagram 2

### MANTEL CLEARANCES WITH 3-1/2" DEFLECTOR

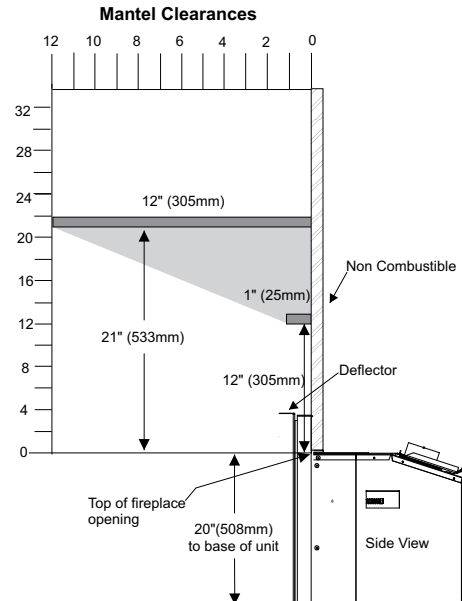


Diagram 3

**WARNING**  
 Although this appliance passes safety certification, the hearth in front of the fireplace becomes very hot when the fireplace heats. Do not use the hearth as a seat or shelf.

**Note:** A 3-1/2" mantel deflector to reduce mantel height to 32" from bottom of unit @ 1" depth.

A non-combustible mantel may be installed at a lower height if the framing is made of metal studs covered with a non-combustible board.

Note: All material must be completely non combustible